

**Solar-Cam Autonimo™**

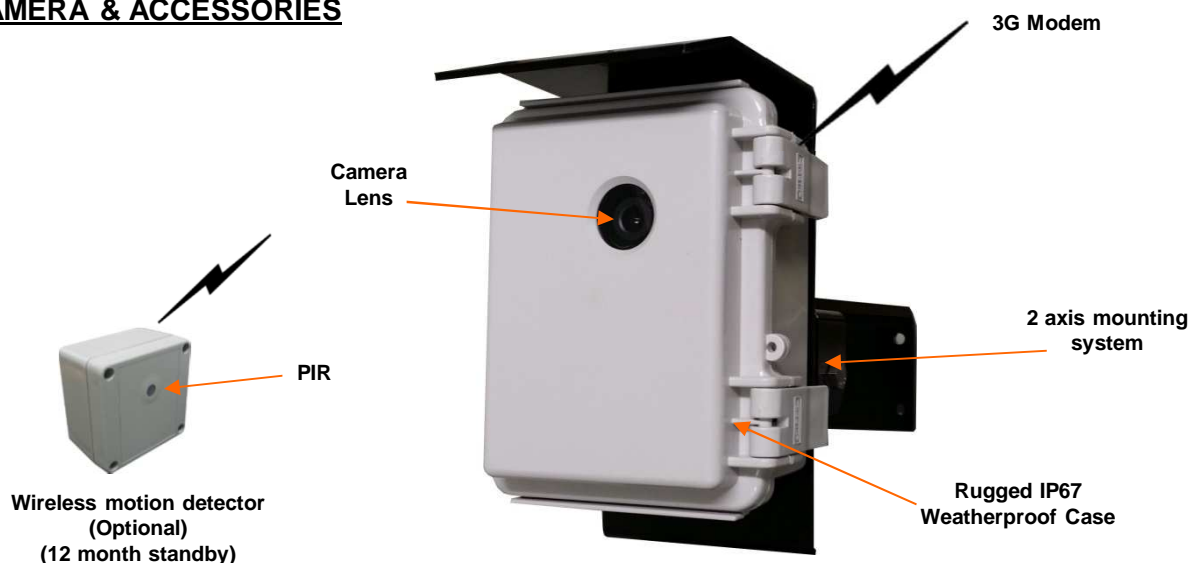
**March 2016**

The Solar-Cam *Autonimo* is a small but rugged Surveillance Camera for harsh environments in remote or unattended locations. The tiny autonomous camera is solar powered making it completely independent of external power. The *solar-smart* charging system ensures that the battery has always enough charge and will control the camera, modem and solar charging to ensure the battery never goes flat. The images are sent via a 3G/4G modem to a PC, mobile phone, or web based monitoring 'Dashboard'. The camera has a rugged **IP67** housing and has a range of telephoto lenses and an optional white LED spotlight for colour night vision. An optional wireless motion detector can activate the camera from up to 40m away or an internal PIR can be ordered. The camera can also operate in 'time-lapse' mode for applications such as Construction, Traffic and Water monitoring etc. All images are also stored on an internal SD card as a backup.

**FEATURES**

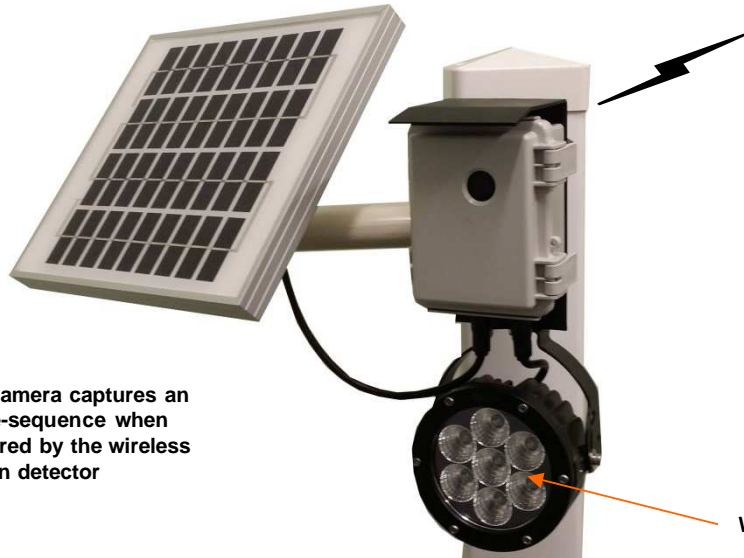
- **Fully integrated autonomous 3G/4G camera system in a single circuit board!**
- **Complete 'wire free' solution for remote monitoring & surveillance.**
- **Camera can operate for up to 3 weeks in overcast inclement weather conditions**
- **High Sensitivity colour VGA or MPixel camera with wide dynamic range**
- **Images are sent immediately to mobile phone, PC, Monitoring Station, & web based Dashboard**
- **Full control and configuration of the camera via SMS commands**
- **Optional internal PIR motion detector**
- **Optional battery operated wireless motion detector activates the camera up to 40m away**
- **Optional 30W white LED spotlight for colour night vision**
- **Optional Infra-Red spotlight for covert night vision with B&W camera**
- **Choice of 6 telephoto lenses to identify intruders or registration plates**
- **All images are concurrently stored on an internal removable 8GB SD card**
- **Rugged weatherproof IP67 housing with Solar Panel - all with adjustable mounts.**
- **Ideal for Traffic Cams, Residential and Commercial security, Flood, Construction & Livestock monitoring,**

**CAMERA & ACCESSORIES**



**CAMERAS**  
**MBS-SA06(SCA)**

**SOLAR-CAM SYSTEM**



The Camera captures an image-sequence when triggered by the wireless motion detector

30 Watt  
White Spotlight



**Marina monitoring**



**Construction**

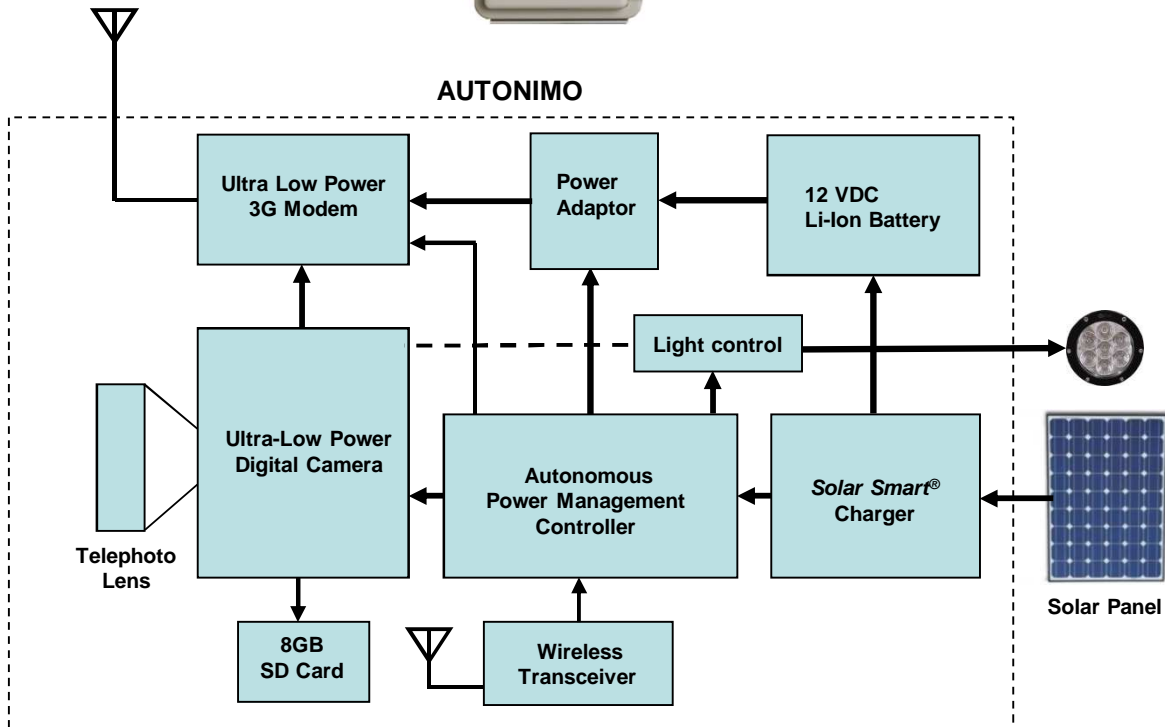


**Property Entrance**



**Road Flood Monitoring**

**CAMERA DESCRIPTION**



**SPECIFICATIONS**

<b>Image Type</b>	VGA (640 x 480) pixels, <b>MPixel</b> 720p HD (1280 x 720) pixels, Wide Dynamic Range, Colour, JPEG encrypted
<b>Internal Battery Capacity</b>	12 VDC Li-Ion battery 37Wh
<b>Camera Telephoto Lens range</b>	2.9mm, 4.3mm, 6 mm, 8mm, 16mm
<b>RF Frequency</b>	<b>2G &amp; 3G</b> : 850/900/1800/1900/2100 MHz <b>WPIR</b> : 2.4Ghz
<b>Power Consumption (Av.)</b>	Xmit: 300mA, Standby: 4.9mA
<b>Camera Case Dimensions</b>	114 x 72 x 135mm (5" x 2.8" x 5.3"), <b>IP 67</b>
<b>Weight</b>	1.8 Kg (4 lbs) – Including battery, weather-shield & swivel bracket
<b>Solar Panel Rating</b>	17.2 VDC, 10W or 20W
<b>Operating Temperature</b>	-20°C to +60°C
<b>PC Software Requirements</b>	Windows 2000 (SP4), Windows XP (SP2), Windows Vista, Windows 7

**Declaration of Conformity**

The RF transceiver module in this product conforms with **ETSI EN 300 440-1** and **FCC section 15.249**

# CAMERAS

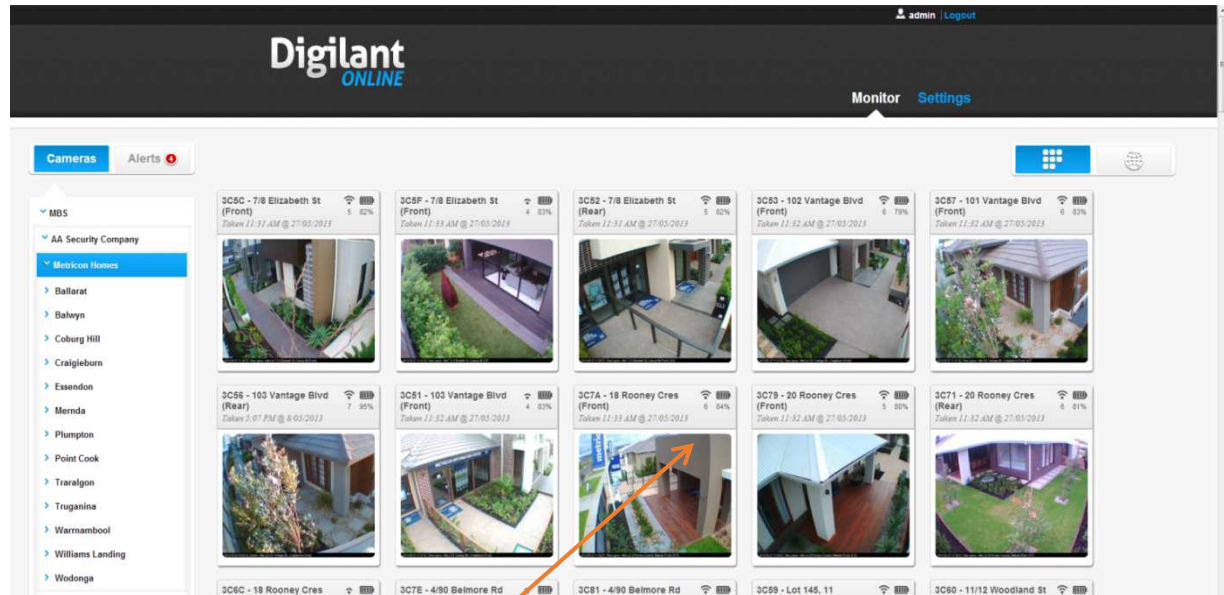
## MBS-SA06(SCA)

### WIRELESS TO WEB™ DASHBOARD

The 'Wireless To Web' (WTW) proprietary network is a fast, secure and reliable means of sending images from wireless cameras to the end user's PC, mobile phone, monitoring station, or Dashboard.

The WTW Dashboard enables images to be displayed from multiple cameras on a reference map. The user can move the icon to the exact location if the camera is moved.

Each camera is displayed as an icon and can be highlighted using the mouse and when selected, opens an image viewer to display historical images in rapid succession.



Latest Image

Many hundreds of cameras can be displayed on the one page

Battery level & Signal Strength

