

PRODUCT BRIEF

MBS-SA04(SPMW)

May 2014

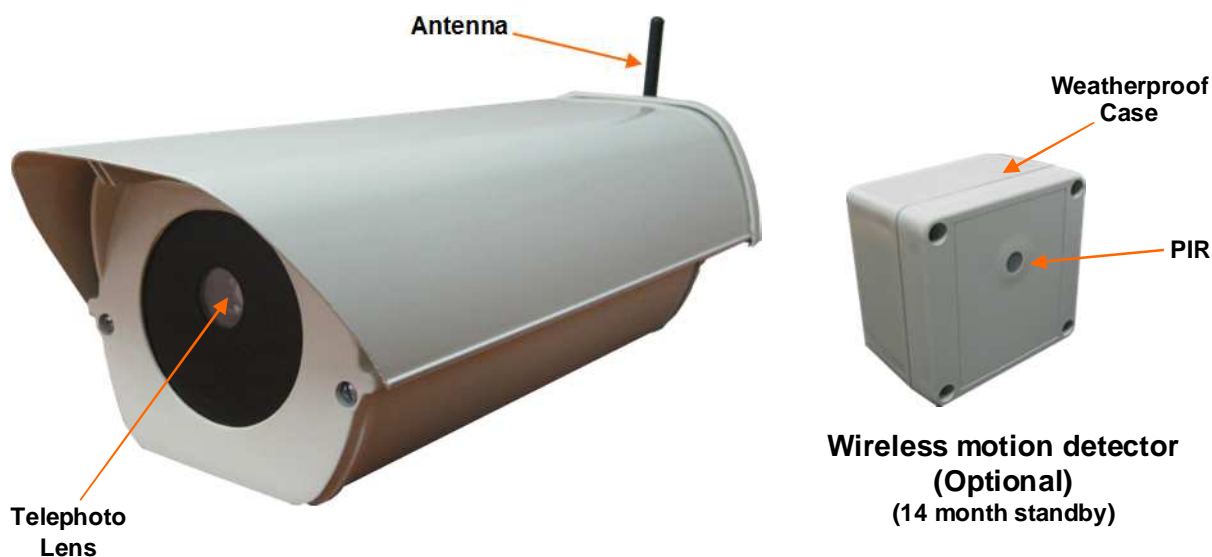
**Vidilanz® MPixel Solar-Cam™**

The Vidilanz® **Solar-Cam™** remote surveillance camera is a 'wire free' image monitoring solution for remote or unattended locations. The Mega-pixel camera is solar powered making it completely independent of external power and the captured images are sent via a 3G modem to a PC, mobile phone, monitoring station, & WTW dashboard. The camera is also equipped with a Telephoto lens to enable the camera to be mounted out of reach or sight, and an optional wireless motion detector activates the camera from up to 80m away. The camera can also operate in 'time-lapse' mode for applications such as Traffic or Flood monitoring. All images are concurrently stored on an internal 8GB SD card as a backup.

**FEATURES**

- Complete 'wire free' solution for remote monitoring & surveillance.
- Fully integrated wireless activated digital camera with 3G modem.
- High Sensitivity colour MPixel camera with wide dynamic range
- Images are sent immediately to mobile phone, PC, Monitoring Station, & web based Dashboard
- Full control and configuration of the camera via SMS commands
- Optional battery operated wireless motion detector activates the camera up to 80m away
- Optional Solar powered white LED floodlight for colour night vision
- Optional wireless Infra-Red spotlight for covert night vision with B&W camera
- Choice of 6 telephoto lenses to identify intruders or registration plates
- All images are concurrently stored on an internal removable 8GB SD card
- Weatherproof housing with sun shield, Solar Panel, Floodlight, all with adjustable mounts.
- Ideal for Traffic Cams, Residential and Commercial security, Flood, Construction & Livestock monitoring,

**CAMERA & ACCESSORIES**



**CAMERAS**  
**MBS-SA04(SPMW)**

**SOLAR-CAM SYSTEM**



**Construction**



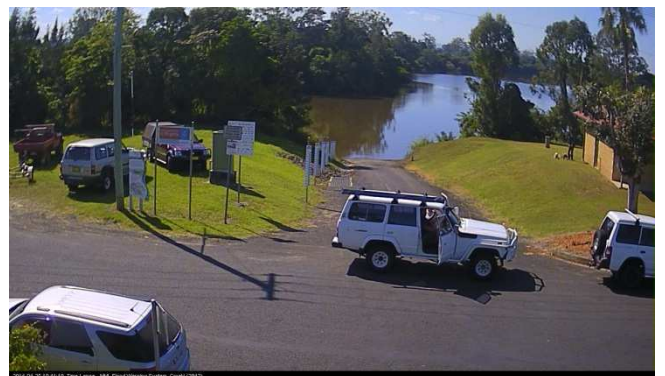
**Marina monitoring**



**Property Entrance (Night-Time)**



The Camera captures an image-sequence when triggered by the wireless motion detector

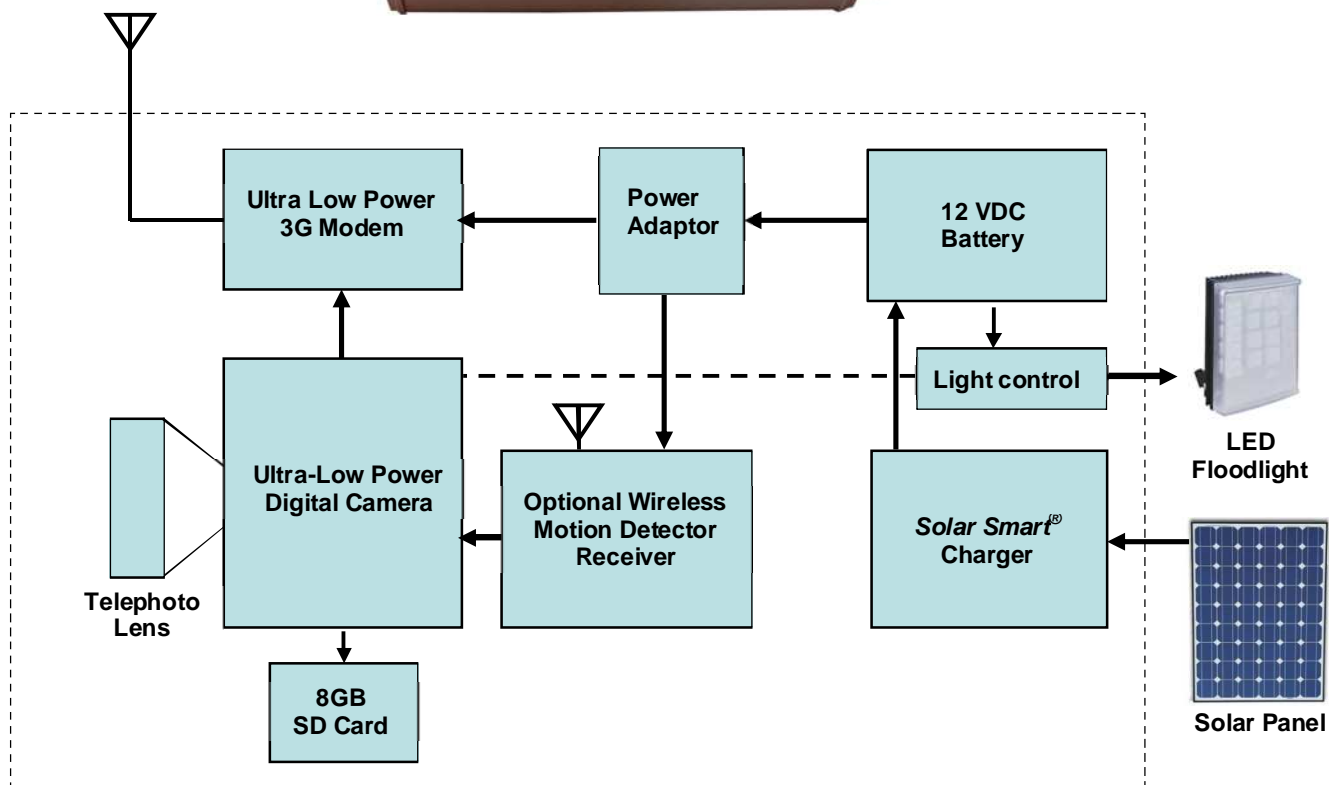


**Road Flood Monitoring**

# CAMERAS

## MBS-SA04(SPMW)

### CAMERA DESCRIPTION



### SPECIFICATIONS

<b>Image Type</b>	720p HD (1280 x 720) pixel, Wide Dynamic Range, Colour, JPEG	
<b>Internal Battery Capacity</b>	12 VDC SLA (5Ah)	
<b>Camera Telephoto Lens range</b>	2.9mm, 4.3mm, 6 mm, 8mm, 16mm, 25mm	
<b>RF Frequency</b>	<b>2G &amp; 3G GPRS:</b> 850/900/1800/1900/2100 MHz	<b>WPIR:</b> 2.4Ghz
<b>Power Consumption (Av.)</b>	Xmit: 300mA, Standby: 4.9mA	
<b>Camera Case Dimensions</b>	410 x 105 x 125 mm	
<b>Weight</b>	3 Kg (Including batteries)	
<b>Solar Panel Rating</b>	12VDC, 20W	
<b>Operating Temperature</b>	-20°C to +60°C	
<b>PC Software Requirements</b>	Windows 2000 (SP4), Windows XP (SP2), Windows Vista, Windows 7	

#### Declaration of Conformity

The RF transceiver module in this product conforms with **ETSI EN 300 440-1** and **FCC section 15.249**



# CAMERAS

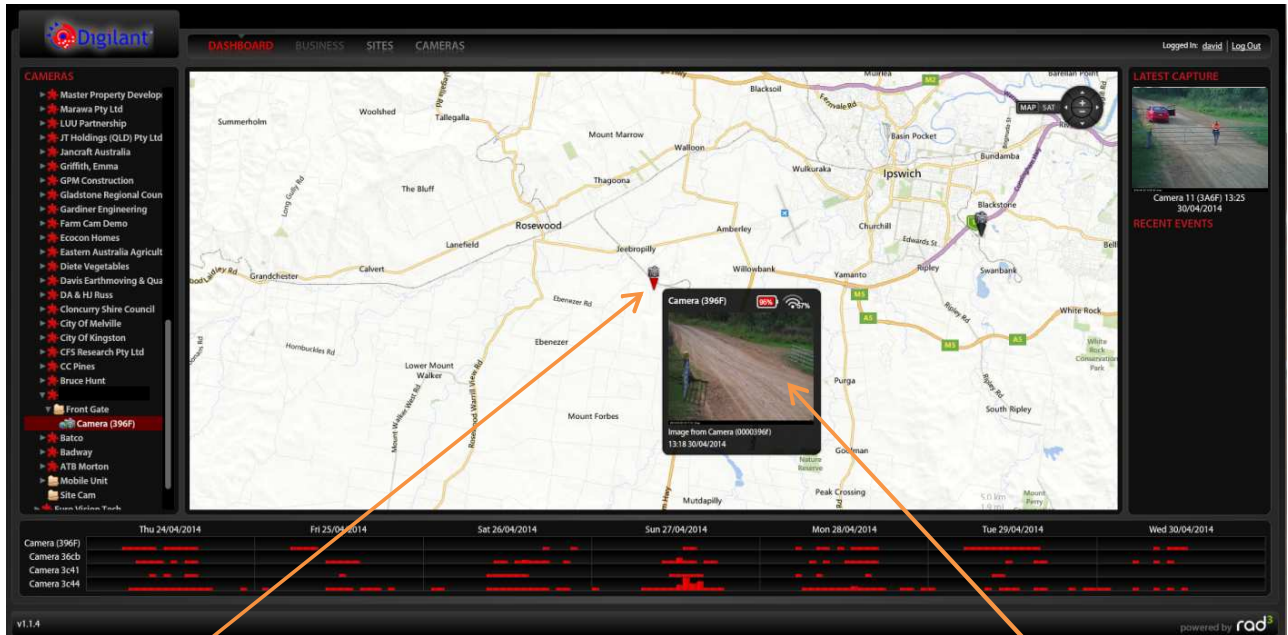
## MBS-SA04(SPMW)

### WIRELESS TO WEB™ DASHBOARD

The 'Wireless To Web' (WTW) proprietary network is a fast, secure and reliable means of sending images from wireless cameras to the end user's PC, mobile phone, monitoring station, or Dashboard.

The WTW Dashboard enables images to be displayed from multiple cameras on a reference map. The user can move the icon to the exact location if the camera is moved.

Each camera is displayed as an icon and can be highlighted using the mouse and when selected, opens an image viewer to display historical images in rapid succession.



Map showing camera positions as icons.

Battery Level



Signal Strength

Drop down viewer

Viewer showing most recent image

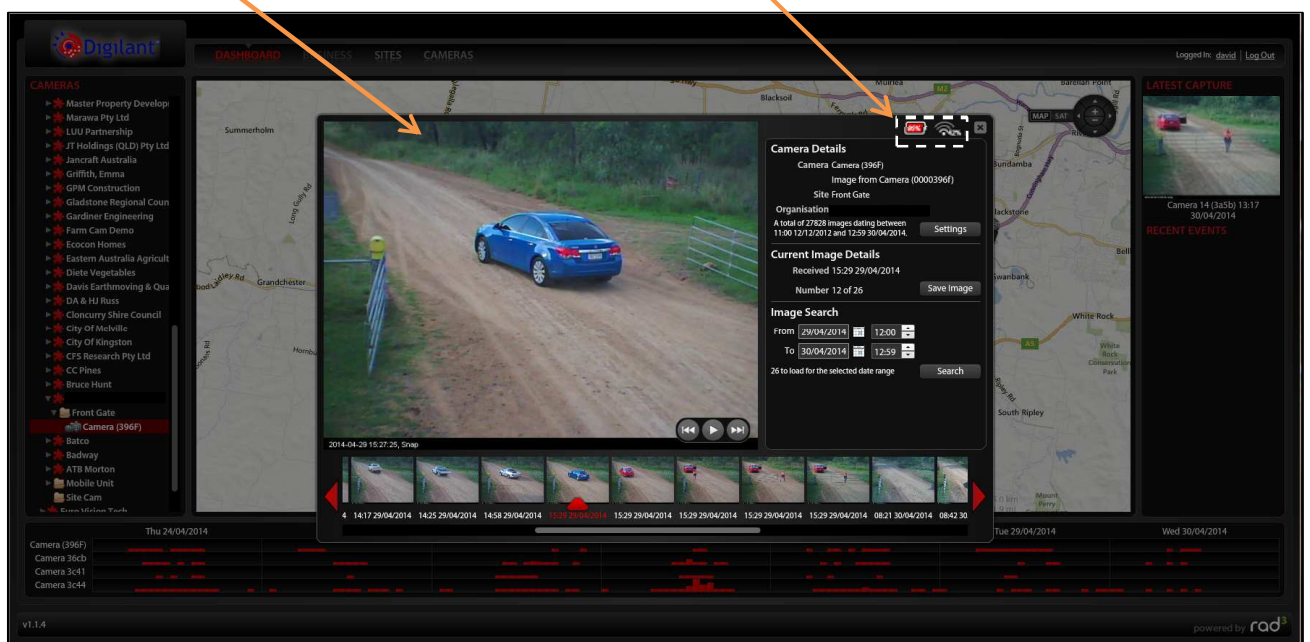


Image viewer displays historical images as a slide show

[www.vidilanz.eu](http://www.vidilanz.eu)